

# OKI Semiconductor

**FEDR27V1652E-01-02**

Issue Date: Jan. 15, 2004

## MR27V1652E

---

**1,048,576-Word x 16-Bit or 2,097,152-Word x 8-Bit  
8-Word x 16-Bit or 16-Word x 8-Bit Page Mode One Time PROM**

---

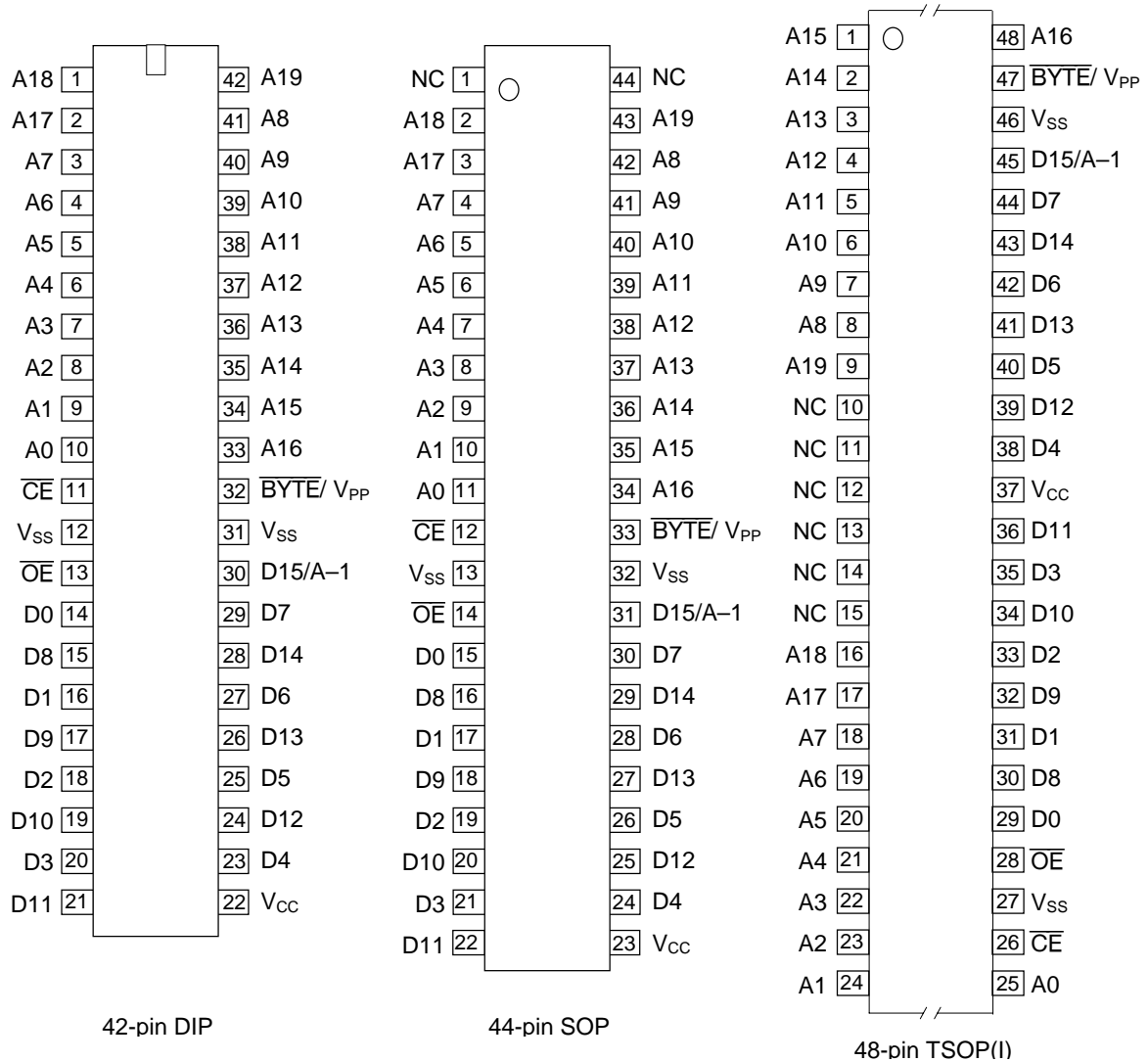
### GENERAL DESCRIPTION

The MR27V1602E is a 16 Mbit electrically One Time Programmable Read-Only Memory with page mode. Its configuration can be electrically switched between 1,048,576-word × 16-bit and 2,097,152-word × 8-bit by the state of the  $\overline{\text{BYTE}}$  pin. The MR27V1652E supports high speed asynchronous read operation using a single 3.3V power supply.

### FEATURES

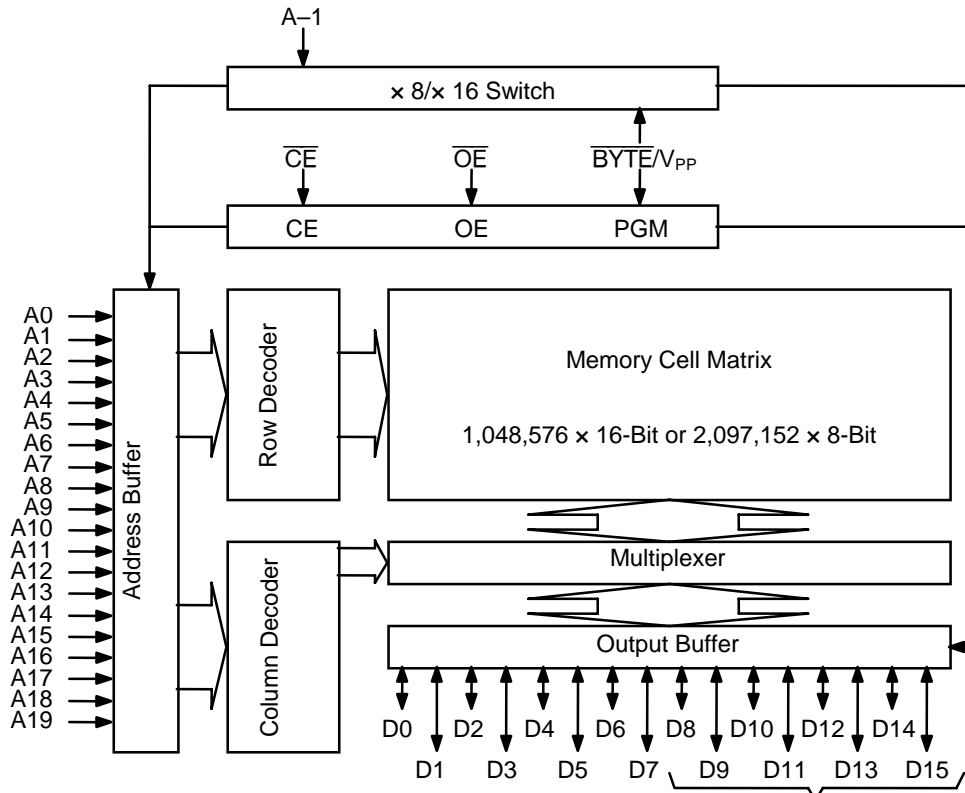
- 1,048,576-word × 16-bit/2,097,152-word × 8-bit electrically switchable configuration
- Page size of 8-word x 16-Bit or 16-word x 8-Bit
- +3.3 V power supply
- Access time
  - Random access mode 100 ns MAX
  - Page access mode 30 ns MAX
- Operating current 100 mA MAX
- Standby current 50  $\mu$ A MAX
- Input/Output TTL compatible
- Tri-state output
- Packages:
  - 42-pin plastic DIP (DIP42-P-600-2.54) (MR27V1652ERA)
  - 44-pin plastic SOP (SOP44-P-600-1.27-K) (MR27V1652EMA)
  - 48-pin plastic TSOP (TSOP I 48-P-1220-0.50-1K) (MR27V1652ETN)

## PIN CONFIGURATION (TOP VIEW)



Pin name	Functions
D15/A-1	Data output/Address input
A0 to A19	Address input
D0 to D14	Data output
$\overline{CE}$	Chip enable
$\overline{OE}$	Output enable
$\overline{BYTE}/V_{PP}$	Mode switch/Program power supply voltage
V <sub>CC</sub>	Power supply voltage
V <sub>SS</sub>	GND
NC	Non connection

**BLOCK DIAGRAM**



In 8-bit output mode, these pins are placed in a high-Z state and pin D15 functions as the A-1 address pin.

**FUNCTION TABLE**

Mode	$\overline{CE}$	$\overline{OE}$	$\overline{BYTE}/V_{PP}$	$V_{CC}$	D0 to D7	D8 to D14	D15/A-1
Read (16-Bit)	L	L	H	3.3 V	D <sub>OUT</sub>		
Read (8-Bit)	L	L	L		D <sub>OUT</sub>	Hi-Z	L/H
Output disable	L	H	H		Hi-Z		*
			L		Hi-Z		*
Standby	H	*	H	Hi-Z		*	
			L	Hi-Z		*	
Program	L	H	9.75 V	4.0 V	D <sub>IN</sub>		
Program inhibit	H	H			Hi-Z		
Program verify	H	L			D <sub>OUT</sub>		

\*: Don't Care (H or L)

**ABSOLUTE MAXIMUM RATINGS**

Parameter	Symbol	Condition	Value	Unit
Operating temperature under bias	T <sub>a</sub>	—	0 to 70	°C
Storage temperature	T <sub>stg</sub>		-55 to 125	°C
Input voltage	V <sub>I</sub>	relative to V <sub>SS</sub>	-0.5 to V <sub>CC</sub> +0.5	V
Output voltage	V <sub>O</sub>		-0.5 to V <sub>CC</sub> +0.5	V
Power supply voltage	V <sub>CC</sub>		-0.5 to 5	V
Program power supply voltage	V <sub>PP</sub>		-0.5 to 11.5	V
Power dissipation per package	P <sub>D</sub>	—	1.0	W

**RECOMMENDED OPERATING CONDITIONS**(T<sub>a</sub> = 0 to 70°C)

Parameter	Symbol	Condition	Min.	Typ.	Max.	Unit
V <sub>CC</sub> power supply voltage	V <sub>CC</sub>	V <sub>CC</sub> = 3.0 to 3.6 V	3.0	—	3.6	V
V <sub>PP</sub> power supply voltage	V <sub>PP</sub>		-0.5	—	V <sub>CC</sub> +0.5	V
Input "H" level	V <sub>IH</sub>		2.2	—	V <sub>CC</sub> +0.5*	V
Input "L" level	V <sub>IL</sub>		-0.5**	—	0.6	V

Voltage is relative to V<sub>SS</sub>.\* : V<sub>CC</sub>+1.5V(Max.) when pulse width of overshoot is less than 10ns.

\*\* : -1.5V(Min.) when pulse width of undershoot is less than 10ns.

## ELECTRICAL CHARACTERISTICS

### DC Characteristics

(V<sub>CC</sub> = 3.3 V ± 0.3 V, T<sub>a</sub> = 0 to 70°C)

parameter	Symbol	Condition	Min.	Typ.	Max.	Unit
Input leakage current	I <sub>LI</sub>	V <sub>I</sub> = 0 to V <sub>CC</sub>	—	—	10	μA
Output leakage current	I <sub>LO</sub>	V <sub>O</sub> = 0 to V <sub>CC</sub>	—	—	10	μA
V <sub>CC</sub> power supply current (Standby)	I <sub>CCSC</sub>	$\overline{CE} = V_{CC}$	—	—	50	μA
	I <sub>CCST</sub>	$\overline{CE} = V_{IH}$	—	—	1	mA
V <sub>CC</sub> power supply current (Read)	I <sub>CCA</sub>	$\overline{CE} = V_{IL}, \overline{OE} = V_{IH}$ t <sub>c</sub> = 100 ns	—	—	100	mA
V <sub>PP</sub> power supply current	I <sub>PP</sub>	V <sub>PP</sub> = V <sub>CC</sub>	—	—	10	μA
Input "H" level	V <sub>IH</sub>	—	2.2	—	V <sub>CC</sub> +0.5*	V
Input "L" level	V <sub>IL</sub>	—	-0.5**	—	0.6	V
Output "H" level	V <sub>OH</sub>	I <sub>OH</sub> = -400 μA	2.4	—	—	V
Output "L" level	V <sub>OL</sub>	I <sub>OL</sub> = 2.1 mA	—	—	0.4	V

Voltage is relative to V<sub>SS</sub>.\* : V<sub>CC</sub>+1.5V(Max.) when pulse width of overshoot is less than 10ns.

\*\* : -1.5V(Min.) when pulse width of undershoot is less than 10ns.

### AC Characteristics

(V<sub>CC</sub> = 3.3 V ± 0.3 V, T<sub>a</sub> = 0 to 70°C)

Parameter	Symbol	Condition	Min.	Max.	Unit
Address cycle time	t <sub>c</sub>	—	100	—	ns
Address access time	t <sub>ACC</sub>	$\overline{CE} = \overline{OE} = V_{IL}$	—	100	ns
Page cycle time	t <sub>PC</sub>	—	30	—	ns
Page access time	t <sub>PAC</sub>	—	—	30	ns
$\overline{CE}$ access time	t <sub>CE</sub>	$\overline{OE} = V_{IL}$	—	100	ns
$\overline{OE}$ access time	t <sub>OE</sub>	$\overline{CE} = V_{IL}$	—	30	ns
Output disable time	t <sub>CHZ</sub>	$\overline{OE} = V_{IL}$	0	30	ns
	t <sub>OHZ</sub>	$\overline{CE} = V_{IL}$	0	25	ns
Output hold time	t <sub>OH</sub>	$\overline{CE} = \overline{OE} = V_{IL}$	0	—	ns

#### Measurement conditions

Input signal level----- 0 V/3 V

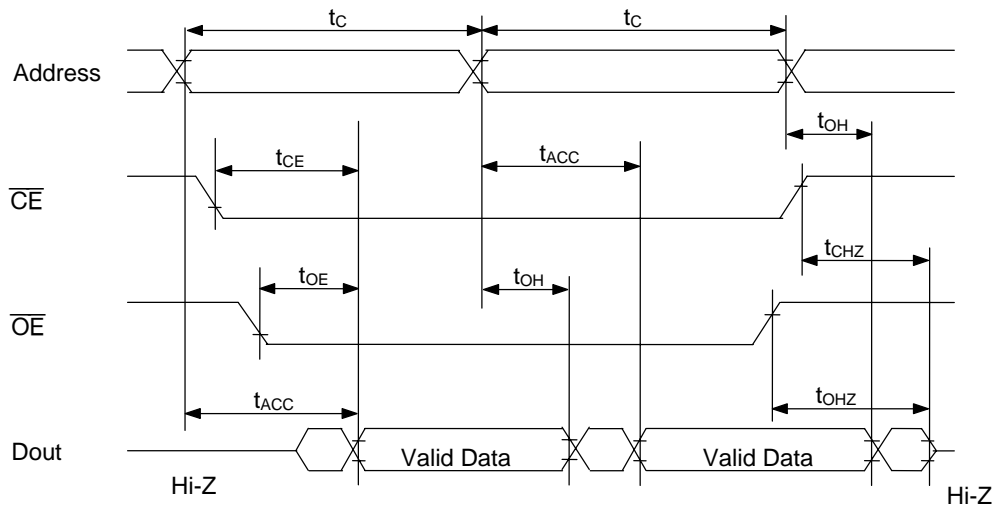
Input timing reference level ----- 0.8 V/2.0 V

Output load ----- 100 pF

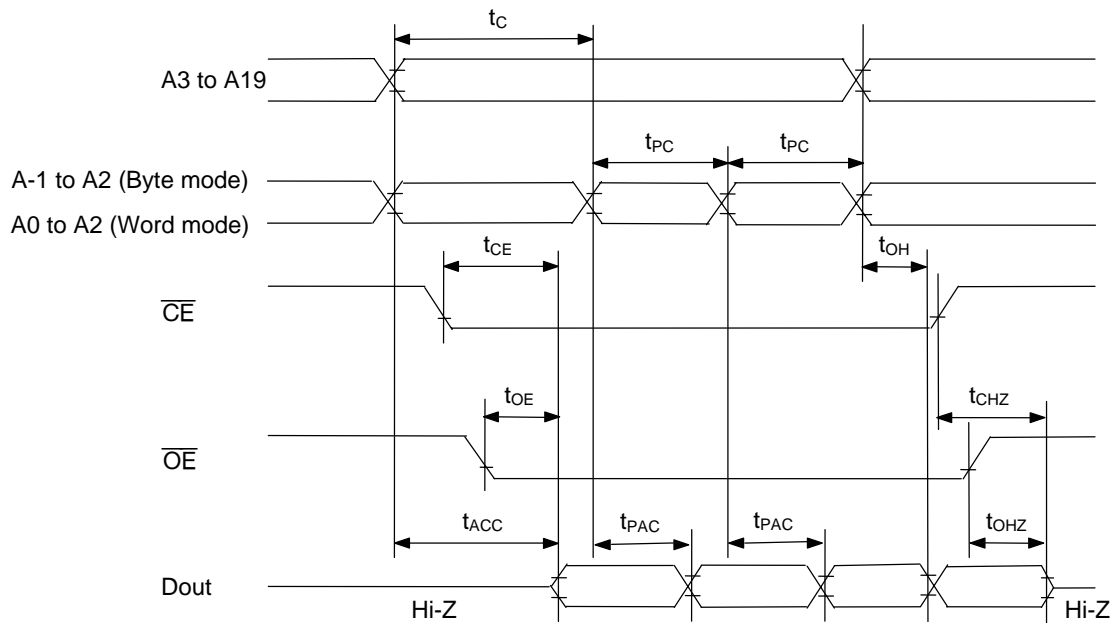
Output timing reference level----- 0.8 V/2.0 V

**TIMING CHART (READ CYCLE)**

**Random Access Mode Read Cycle**



**Page Access Mode Read Cycle**



**ELECTRICAL CHARACTERISTICS (PROGRAMMING OPERATION)****DC Characteristics**

(Ta = 25°C ± 5°C)

Parameter	Symbol	Condition	Min.	Typ.	Max.	Unit
Input leakage current	I <sub>LI</sub>	V <sub>I</sub> = V <sub>CC</sub> +0.5 V	—	—	10	μA
V <sub>PP</sub> power supply current (Program)	I <sub>PP2</sub>	$\overline{\text{CE}} = V_{IL}$	—	—	50	mA
V <sub>CC</sub> power supply current	I <sub>CC</sub>	—	—	—	80	mA
Input "H" level	V <sub>IH</sub>	—	3.0	—	V <sub>CC</sub> +0.5	V
Input "L" level	V <sub>IL</sub>	—	-0.5	—	0.8	V
Output "H" level	V <sub>OH</sub>	I <sub>OH</sub> = -400 μA	2.4	—	—	V
Output "L" level	V <sub>OL</sub>	I <sub>OL</sub> = 2.1 mA	—	—	0.45	V
Program voltage	V <sub>PP</sub>	—	9.5	9.75	10.0	V
V <sub>CC</sub> power supply voltage	V <sub>CC</sub>	—	3.9	4.0	4.1	V

Voltage is relative to V<sub>SS</sub>.**AC Characteristics**(V<sub>CC</sub> = 4.0 V ± 0.1 V,  $\overline{\text{BYTE}}/V_{PP} = 9.75 \text{ V} \pm 0.25 \text{ V}$ , Ta = 25°C ± 5°C)

Parameter	Symbol	Condition	Min.	Typ.	Max.	Unit
Address set-up time	t <sub>AS</sub>	—	100	—	—	ns
$\overline{\text{OE}}$ set-up time	t <sub>oES</sub>	—	2	—	—	μs
Data set-up time	t <sub>DS</sub>	—	100	—	—	ns
Address hold time	t <sub>AH</sub>	—	2	—	—	μs
Data hold time	t <sub>DH</sub>	—	100	—	—	ns
Output float delay time from $\overline{\text{OE}}$	t <sub>OHZ</sub>	—	0	—	100	ns
V <sub>PP</sub> voltage set-up time	t <sub>VS</sub>	—	2	—	—	μs
Program pulse width	t <sub>PW</sub>	—	9	10	11	μs
Data valid from $\overline{\text{OE}}$	t <sub>OE</sub>	—	—	—	100	ns
Address hold from $\overline{\text{OE}}$ high	t <sub>AOH</sub>	—	0	—	—	ns

**Pin Check Function**

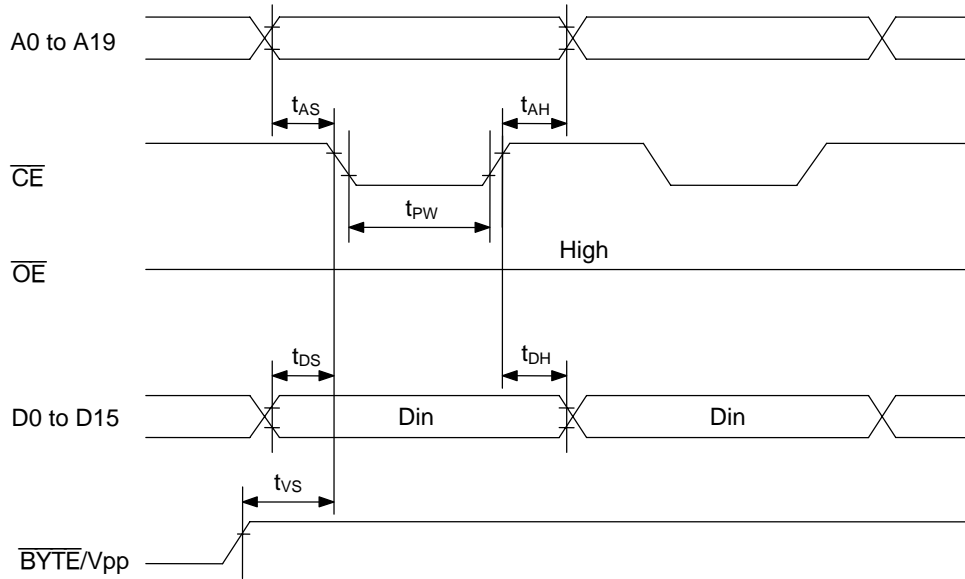
Pin Check Function is to check contact between each device-pin and each socket-lead with EPROM programmer. Setting up address as following condition call the preprogrammed codes on device outputs.

(V<sub>CC</sub> = 3.3 V ± 0.3 V,  $\overline{\text{CE}} = V_{IL}$ ,  $\overline{\text{OE}} = V_{IL}$ ,  $\overline{\text{BYTE}}/V_{PP} = V_{IH}$ , Ta = 25°C ± 5°C)

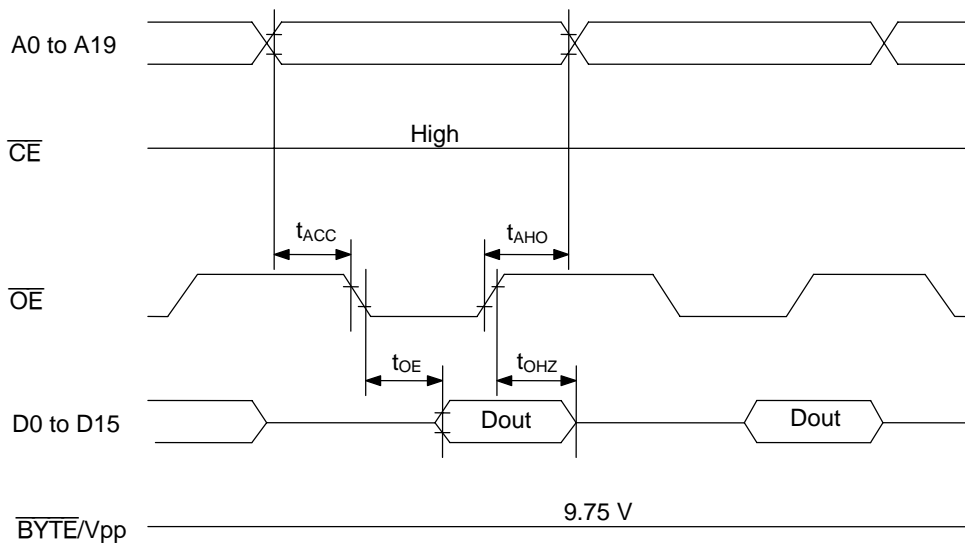
A0	A1	A2	A3	A4	A5	A6	A7	A8	A9	A10	A11	A12	A13	A14	A15	A16	A17	A18	A19	DATA
0	1	0	1	0	1	0	1	0	VH*	0	1	0	1	0	1	0	0	1	1	FF00
1	0	1	0	1	0	1	0	1	VH*	1	0	1	0	1	0	1	1	0	0	00FF
Other conditions																				FFFF

\*: VH = 8 V ± 0.25 V

**Consecutive Programming Waveforms**

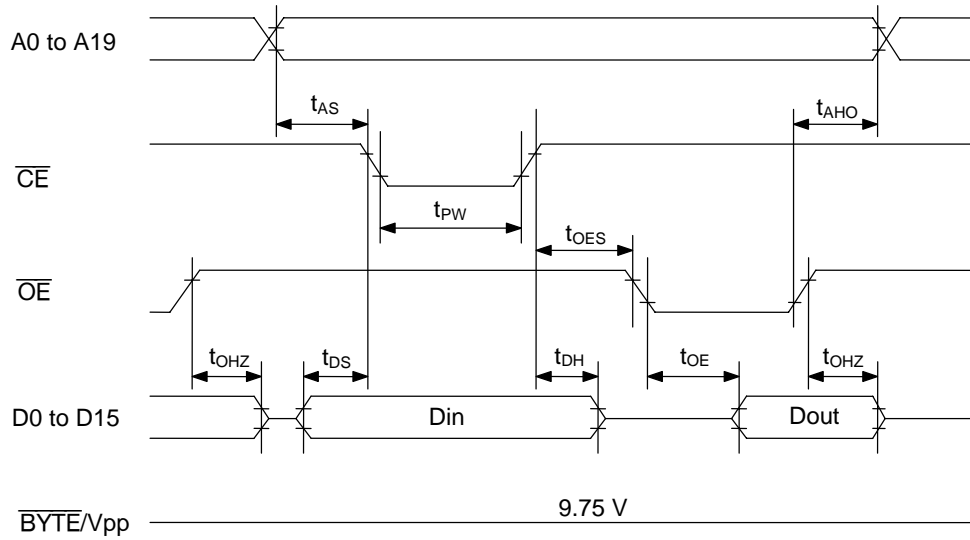


**Consecutive Program Verify Waveforms**





**Program and Program Verify Cycle Waveforms**



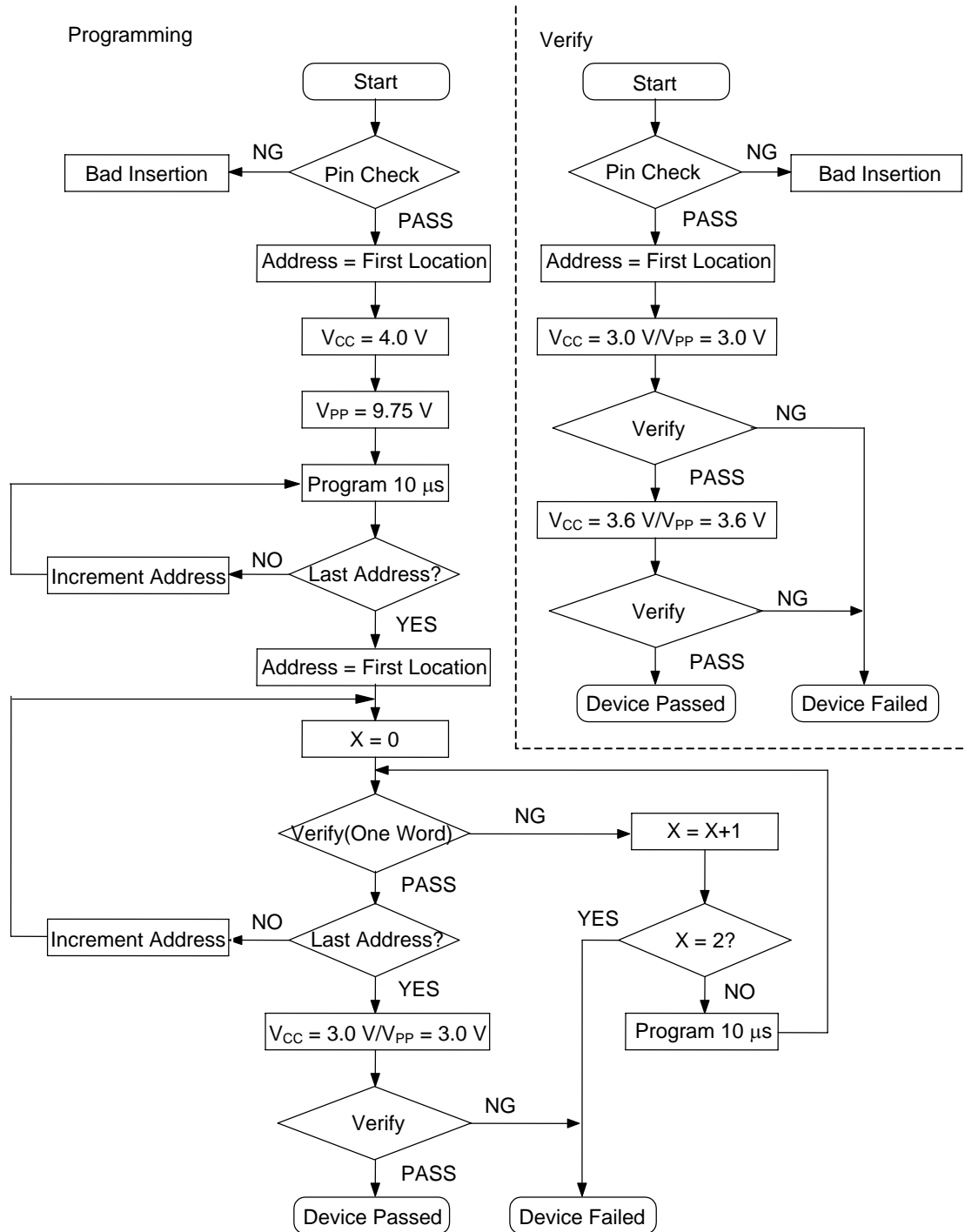
**Pin Capacitance**

( $V_{CC} = 3.3\text{ V}$ ,  $T_a = 25^\circ\text{C}$ ,  $f = 1\text{ MHz}$ )

Parameter	Symbol	Condition	Min.	Typ.	Max.	Unit
Input	$C_{IN1}$	$V_I = 0\text{ V}$	—	—	10	pF
$\overline{\text{BYTE}}/V_{PP}$	$C_{IN2}$		—	—	120	
Output	$C_{OUT}$	$V_O = 0\text{ V}$	—	—	10(12)	

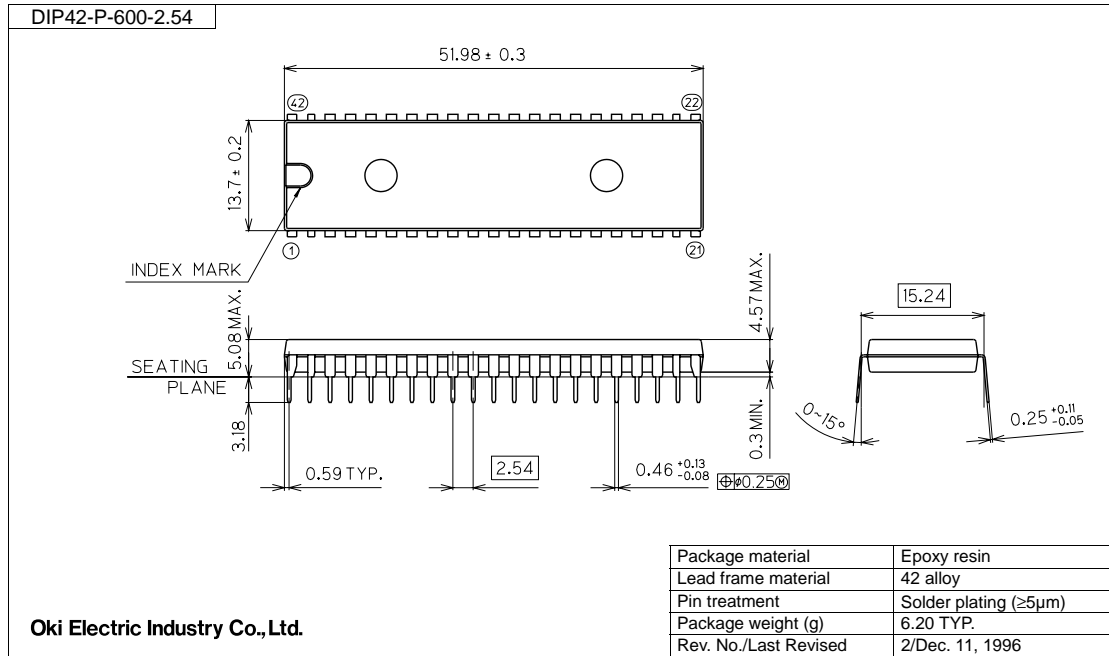
( ):DIP only

Programming/Verify Flow Chart

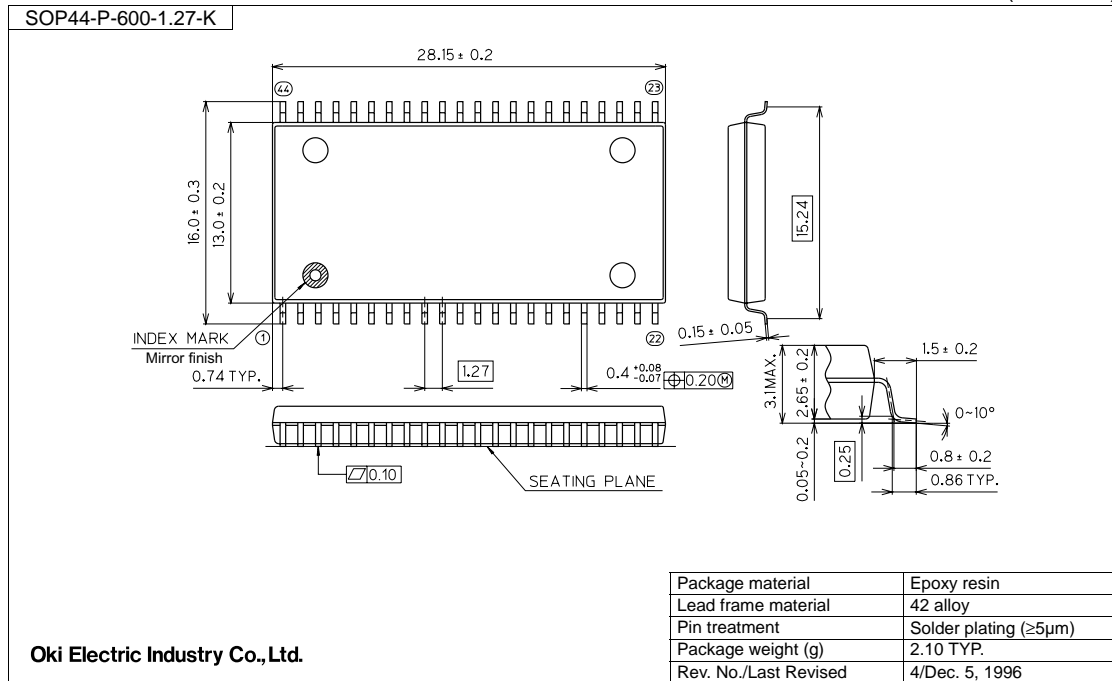


**PACKAGE DIMENSIONS**

(Unit: mm)



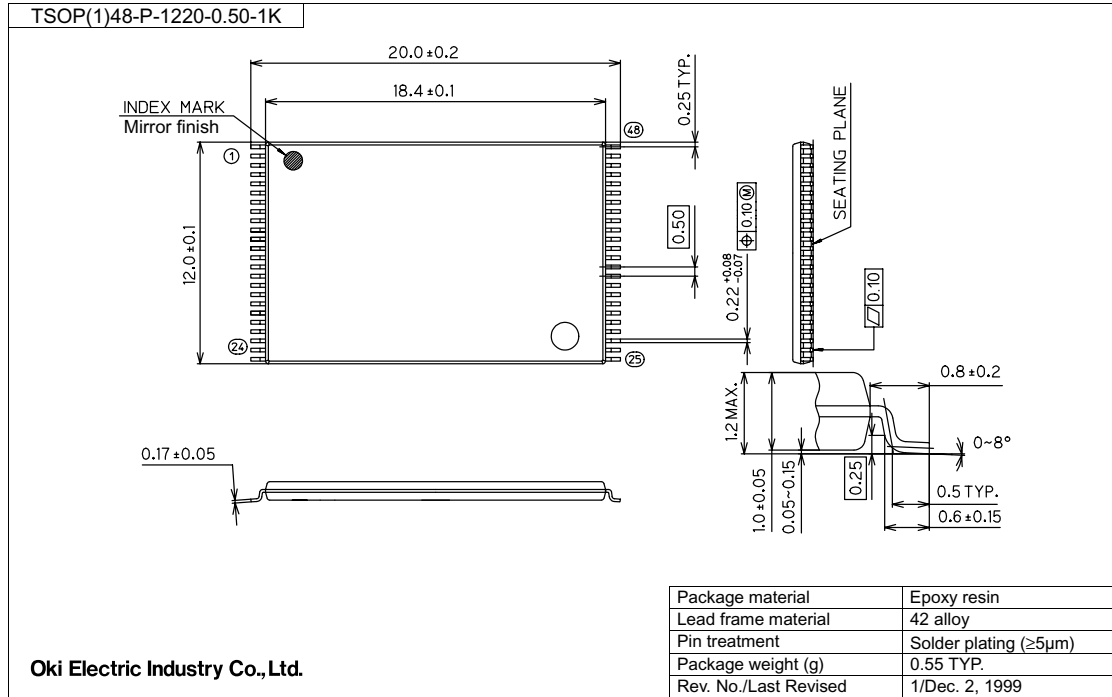
(Unit: mm)



Notes for Mounting the Surface Mount Type Package

The surface mount type packages are very susceptible to heat in reflow mounting and humidity absorbed in storage. Therefore, before you perform reflow mounting, contact Oki's responsible sales person for the product name, package name, pin number, package code and desired mounting conditions (reflow method, temperature and times).

(Unit: mm)



Notes for Mounting the Surface Mount Type Package

The surface mount type packages are very susceptible to heat in reflow mounting and humidity absorbed in storage. Therefore, before you perform reflow mounting, contact Oki's responsible sales person for the product name, package name, pin number, package code and desired mounting conditions (reflow method, temperature and times).

**REVISION HISTORY**

Document No.	Date	Page		Description
		Previous Edition	Current Edition	
FEDR27V1652E-01-01	Oct. 2000	–	–	Final edition 1
FEDR27V1652E-01-02	Jan. 15, 2004	1, 2	1, 2, 13	Added 48-pin TSOP(I) package.

**NOTICE**

1. The information contained herein can change without notice owing to product and/or technical improvements. Before using the product, please make sure that the information being referred to is up-to-date.
2. The outline of action and examples for application circuits described herein have been chosen as an explanation for the standard action and performance of the product. When planning to use the product, please ensure that the external conditions are reflected in the actual circuit, assembly, and program designs.
3. When designing your product, please use our product below the specified maximum ratings and within the specified operating ranges including, but not limited to, operating voltage, power dissipation, and operating temperature.
4. Oki assumes no responsibility or liability whatsoever for any failure or unusual or unexpected operation resulting from misuse, neglect, improper installation, repair, alteration or accident, improper handling, or unusual physical or electrical stress including, but not limited to, exposure to parameters beyond the specified maximum ratings or operation outside the specified operating range.
5. Neither indemnity against nor license of a third party's industrial and intellectual property right, etc. is granted by us in connection with the use of the product and/or the information and drawings contained herein. No responsibility is assumed by us for any infringement of a third party's right which may result from the use thereof.
6. The products listed in this document are intended for use in general electronics equipment for commercial applications (e.g., office automation, communication equipment, measurement equipment, consumer electronics, etc.). These products are not, unless specifically authorized by Oki, authorized for use in any system or application that requires special or enhanced quality and reliability characteristics nor in any system or application where the failure of such system or application may result in the loss or damage of property, or death or injury to humans.  
Such applications include, but are not limited to, traffic and automotive equipment, safety devices, aerospace equipment, nuclear power control, medical equipment, and life-support systems.
7. Certain products in this document may need government approval before they can be exported to particular countries. The purchaser assumes the responsibility of determining the legality of export of these products and will take appropriate and necessary steps at their own expense for these.
8. No part of the contents contained herein may be reprinted or reproduced without our prior permission.

Copyright 2004 Oki Electric Industry Co., Ltd.